

# METERING SMART PLUG




## Features

The EnOcean Metering Smart Plug connects any device plugged into it and measures its energy consumption (compatible home automation gateway needed). It is then remotely controllable with a wireless battery-free controller. Lights, electric heaters can be automatically controlled.

### HIGH POWER CAPACITY

 Up to 16A, compatible with all household appliances

### METERING FEATURE

 Metering of instant power and cumulated energy, to make energy savings


### SIGNAL REPEATER

 The Smart Plug repeats messages from all other EnOcean devices

### USER-FRIENDLINESS

 Plug it in head up or head down for user-friendliness easy installation

### SMART ACTUATOR

 The Smart Plug works directly with EnOcean devices and can be integrated into a home automation gateway ecosystem

## Technical specifications

**Power:** 230V AC 50Hz (EU)

**Consumption:** < 1W

**Max switching capacity:**

3.000W (Continuous)

3.680W (Temporary) on resistive load

**Metering of Instant power (W) and cumulated Energy (Wh)**

**Radio frequency range:** 868.0 to 868.6 MHz

**Range:** up to 30m indoors

**Pairing:** up to 22 controllers

**EEP (EnOcean Profile):** D2-01-0B



List of compatible home automation gateways available on [www.nodon.fr](http://www.nodon.fr)

## Comfort



Central management of auxiliary lights with a battery-free remote control

## Serenity



Automatically turn the appliance OFF if it was forgotten\*



Automatically turn appliances OFF when the room is empty

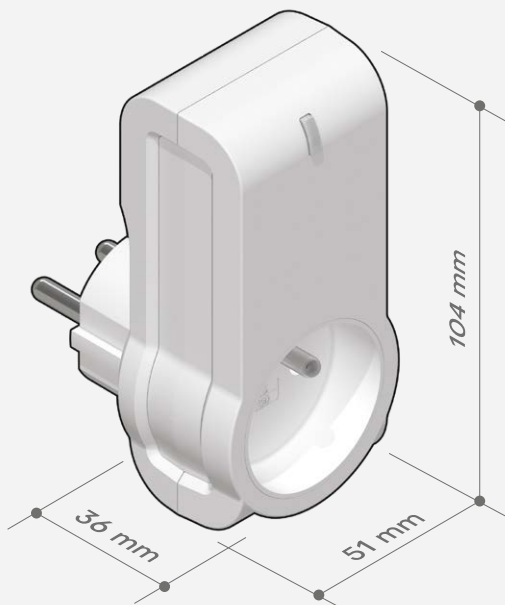
## Energy savings



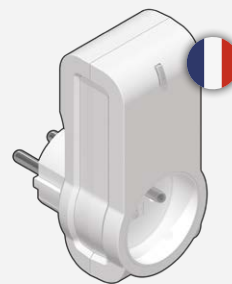
Meter energy consumption and receive an alert if an over-consumption is detected\*

\*Home automation gateway needed

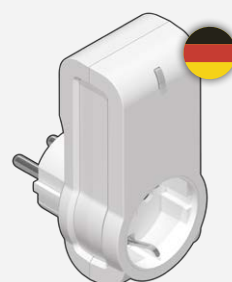
## Dimensions



## References



ASP-2-1-01  
EAN: 3700313920022  
Type E  
(French standard)



ASP-2-1-11  
EAN: 3700313920039  
Schuko  
(German standard)