



Features

The EnOcean Motion Sensor automatically detects all motion. Wireless, it is easy to install on a wall, a ceiling, a table... Settings can be suited to the environment's lighting to make energy savings (on lighting, heating).

5 YEARS

BATTERY LIFE

The Motion Sensor has a 5-year battery life



HIGH SENSITIVITY

Detection of all motion, sensitivity from 0 to 1000 Lux and detection at 120°



QUICK INSTALLATION

Wireless, mounting with double-sided adhesive or screws



HEARTBEAT SIGNAL MESSAGE

The Motion Sensor sends a « heartbeat » signal to the home automation gateway indicating the battery level every 15 to 30 minutes

Technical specifications

Power supply: Battery CR123A 3V

5 years battery lifetime

Indoor use

Wall mounting: adhesive strips (included) or fastening hooks (included)

120° sensing

Detection range: Up to 5 meters

Lux sensing: 0 to 1000 Lux

Pairing button at the back of the sensor

Radio frequency range: 868.0 to 868.6 MHz

Range: up to 30m indoors

EEP (EnOcean Profile): A5-07-03



List of compatible home automation gateways available on www.nodon.fr

Comfort



Launch a morning scenario: turn ON the bathroom's lights and launch the ventilation on level 2*



Start the heating in a room when a presence is detected

Energy savings



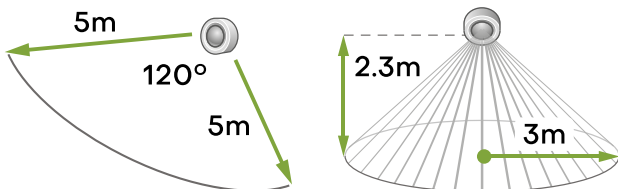
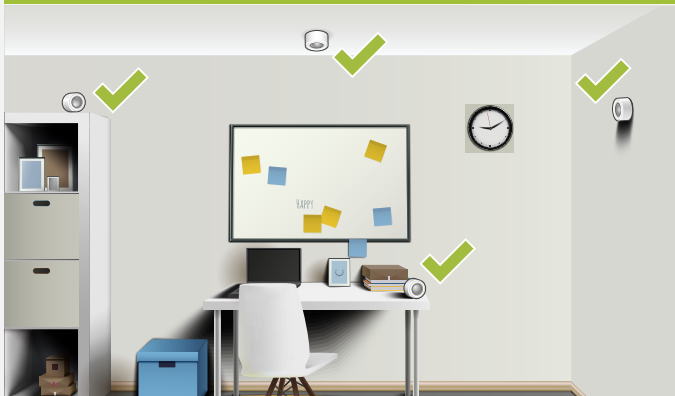
Automatic lighting management in a meeting room according to presence/absence



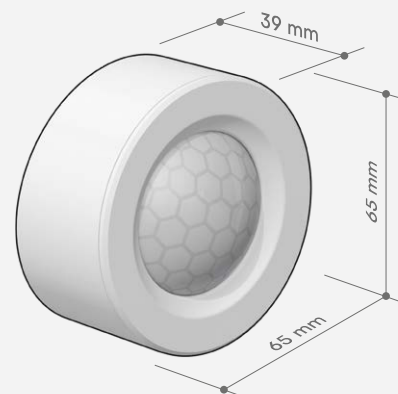
Automatically turn the light ON/OFF at a crossing point

*Home automation gateway needed

Installation



Dimensions



Reference

Frequency 868.0 MHz to 868.6 MHz:
PIR-2-1-01 - EAN: 3700313921395 - White