

# MULTIFUNCTION RELAY SWITCH



## Features

The EnOcean Multifunction Relay Switch enables users to control their garage door, gate, heater, power socket, boiler... It is easy to install on existing equipment to connect it and make it remotely or automatically controllable.



**HIGH SWITCHING CAPACITY**  
2.300W to control the devices



**SIGNAL REPEATER**  
The Relay Switch repeats all messages from all other EnOcean devices



**POTENTIAL-FREE OUTPUT**  
The Relay Switch has a potential-free output



**ULTRA LOW PROFILE**  
Installation in electrical boxes from >30mm



**INSTALLATION AT THE ELECTRICAL PANEL**  
DIN Rail Box needed



**REMOTE COMMISSIONING**  
Wireless installation without physical intervention

## Technical specifications

**Power supply:** 230V AC ~ 50Hz

**Switching capabilities:** 230V AC – 10A // 30V DC – 10A

**Consumption:** <1W

**Maximum output power:** 2.3kW (Resistive load)

List of compatible loads available on [www.nodon.fr/loads](http://www.nodon.fr/loads)

**Radio frequency range:** 868.0 to 868.6 MHz

**RF power max:** +3dBm

**Range:** up to 30m indoors

**Operational temperature:** -10°C to 40°C

**Protection rating:** IP 30

**Pairing:** up to 22 controllers

**EEP (EnOcean Profile):** D2-01-0F



List of compatible home automation gateways available on [www.nodon.fr](http://www.nodon.fr)

## Renovation



Control home access such as garage door, thanks to the Multifunction Relay Switch potential-free output

## Comfort



Wirelessly connect power socket for remote control



Individual lighting control for shared workspaces



Central heating management and boiler control\*

\*Home automation gateway needed

## Installation



**N** Terminal for the Neutral

**L** Terminal for the Line

**I1** Input terminal for the wired switch 1 (I1)\*\*

**I2** Input terminal for the wired switch 2 (I2)\*\*

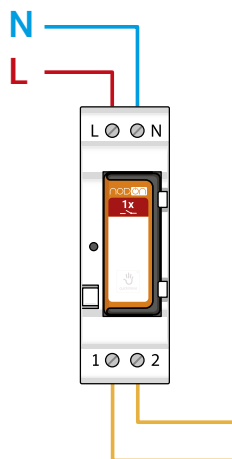
Input terminal, the potential will pass through the output terminal

Output terminal

**Note:** Each terminal can accept a cable of 2.5mm<sup>2</sup> maximum

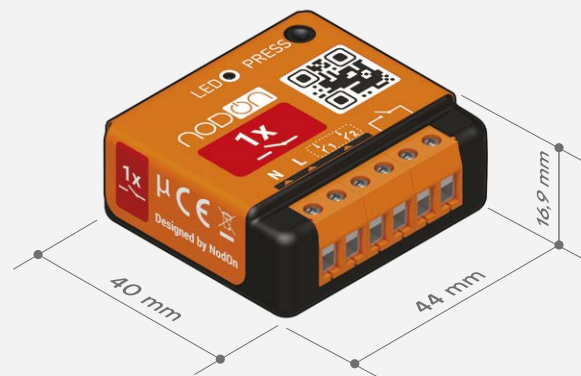
\*\*Wired switch optional (see the installation diagrams section on the next page)

### Wiring of the Multifunction Relay Switch in the DIN Rail Box\*\*\*



\*\*\*DIN Rail Box page 18

## Dimensions

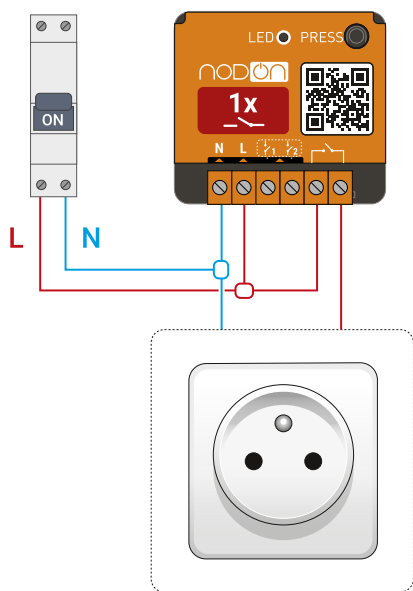


## Reference

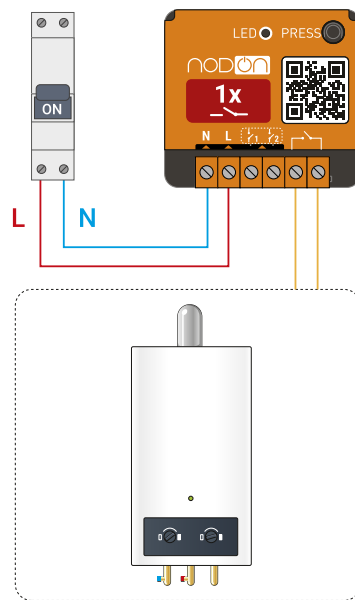
SIN-2-1-XX - EAN: 3700313921425

# Wiring diagrams

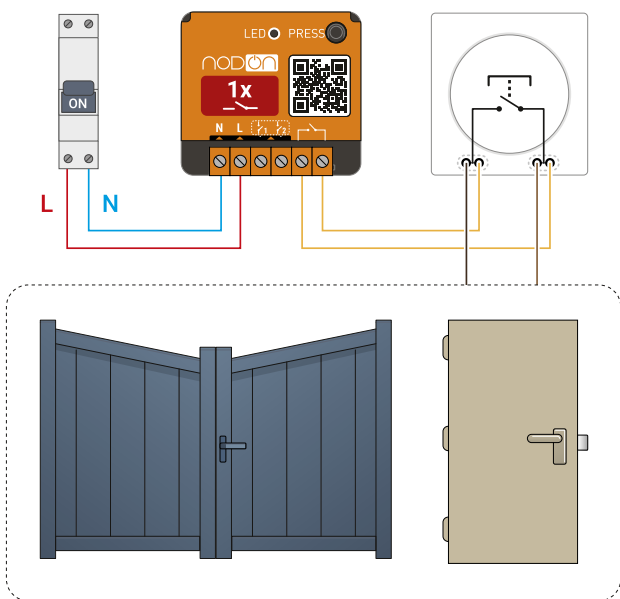
## Power socket



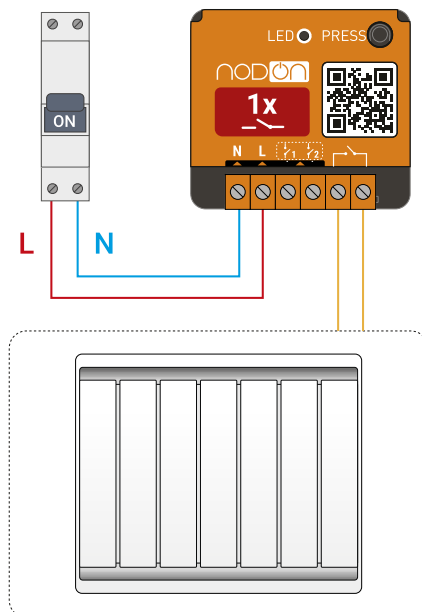
## Boiler



## Garage door/gate

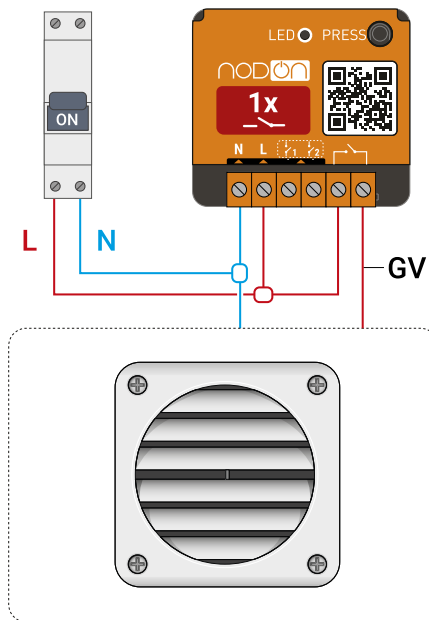


## Heater

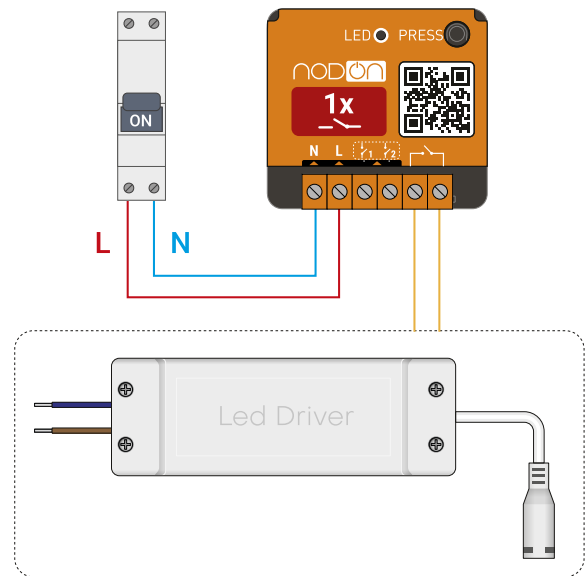


# Wiring diagrams

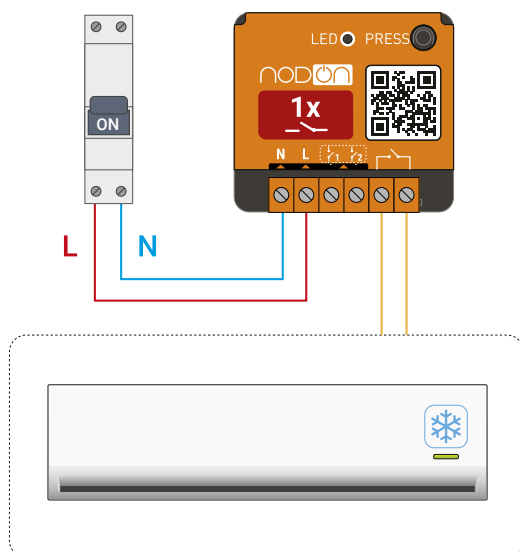
## CMV



## LED driver



## Air-conditioner



## Other wiring diagrams



Access all the wiring diagrams on  
[www.nodon.fr/en/support](http://www.nodon.fr/en/support)